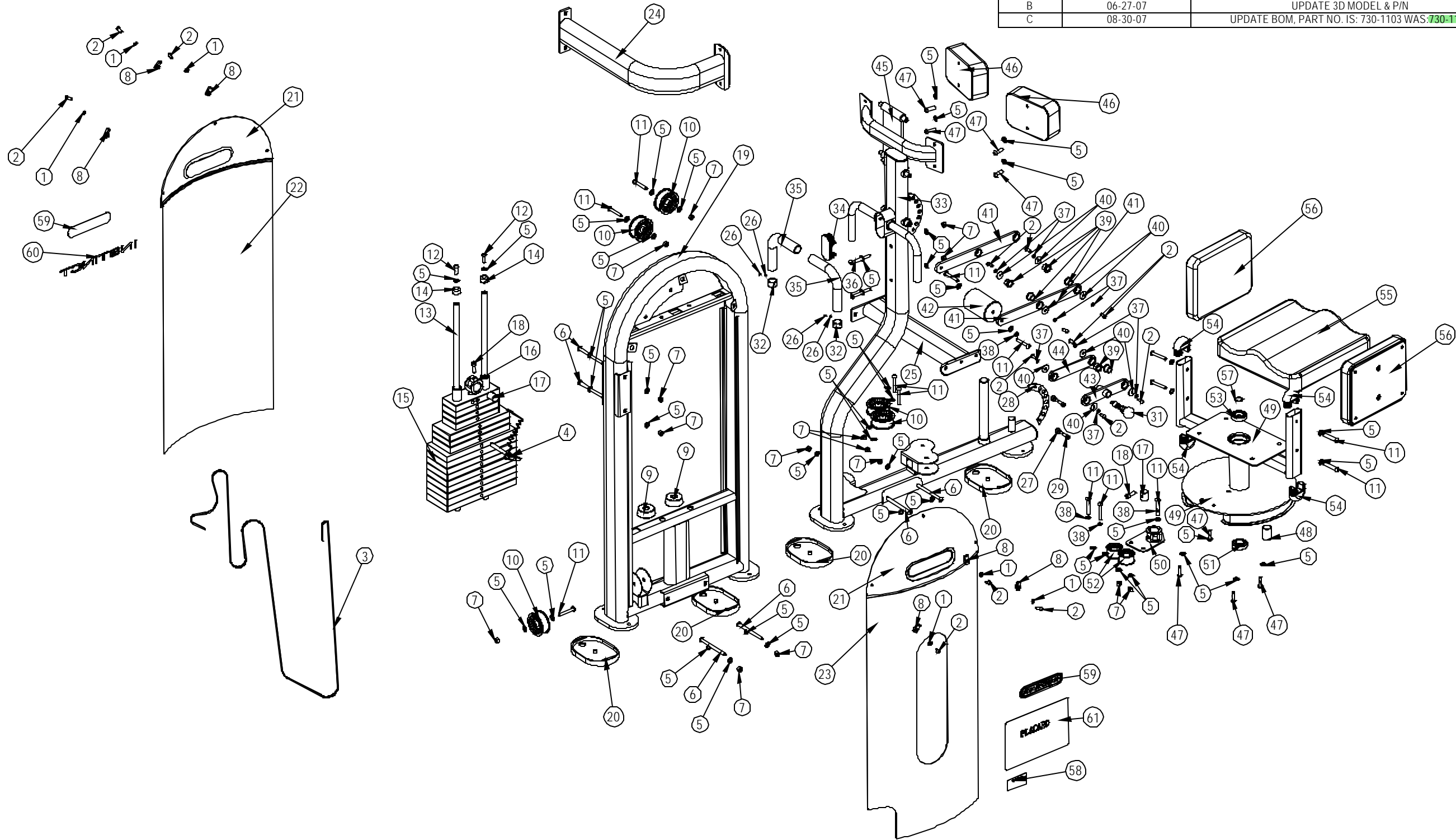


REVISIONS				
REV.	DATE	DESCRIPTION	ECO	BY
A	11-07-06	PRODUCTION RELEASE	11508	SMS
B	06-27-07	UPDATE 3D MODEL & P/N	11657	AK
C	08-30-07	UPDATE BOM, PART NO. IS: 730-1103 WAS: 730-1104	11708	AK



NOTES:

**DOCUMENT STATUS:
RELEASE**

NOTICE OF PROPRIETARY INFORMATION

THIS DOCUMENT SHALL NOT BE REPRODUCED NOR SHALL THE INFORMATION CONTAINED HEREIN BE USED BY OR DISCLOSED TO OTHER EXCEPT AS EXPRESSLY AUTHORIZED BY UNISEN

MATERIAL
SEE BOM

FINISH

FRAME COLOR: STAR TRAC SILVER (HP FULLER) UPHOLSTERY
COLOR: STAR TRAC GRAY (SLATE)

VENDOR: N/A

P/N: N/A

TOLERANCES UNLESS OTHERWISE SPECIFIED

X.XXX = ± .010" (0.25MM) ANGLES = ± 2°
X.XX = ± .030" (0.76MM) FRACTIONS = ± 1/32
X.X = ± .050" (1.27MM)
X = ± .125" (3.20)

DRAWN INITIAL DATE
AK 06/07/07

CHECKED
APPROVED

U.O.M. MM

UNISEN, INC. DBA 14410 Myford Road
STAR TRAC Irvine CA 92606

PART NO. REV
9IN-S6300-13BSS **C**


TITLE
IN,SSS,ROTARY TORSO

SCALE: 1:75 | SHEET 1 OF 3 | SHEET SIZE: B

J
I
H
G
F
E
D
C
B
A

ITEM NO.	partno	PART NUMBER	DESCRIPTION	QTY.
1	730-0910	GB958A2-70	WASHER,M8,BELLEVILLE,SS	8
2	730-1138	PNLM8-20A2-70	SCREW,M8X20,BHC,SS	14
3	730-0778	IN-S10112000	BELT	1
4	730-0235	IN-S10112200	ASSY,SELECTOR PIN	1
5	730-0908	GB9510A2-70	WASHER,M10,FLAT,SS	50
6	730-1112	PNLM10-130A2-70	SCREW, M10x130, BH, SS	6
7	730-1104	NM10A2-70	NUT,M10,NYLON PATCH,SS	17
8	730-0845	IN-S21004800	SHROUD,MOUNTING,U-STYLE,CLIP	6
9	730-1448	IT80023000	BUMPER, STACK, 25.4MM	2
10	730-0721	IN-S51101000	PULLEY, 75MM	6
11	730-1122	PNLM10-63A2-70	SCREW,M10X63,BHC,SS	15
12	730-1118	PNLM10-30A2-70	SCREW, M10, BHC, HK, SS	2
13	730-0780	IN-S63003700	WEIGHT STACK,GUIDE RAIL	2
14	730-0565	IT80129500	CAP, END, HANDLE	2
15	730-0555	XZT190	WSB MAIN, (WS1) + (WS3) + (3 x WS5)	1
16	730-0521	730-0521	ASSY, TOP PLATE, 14 HOLES, IN	1
17	730-0236	IN-S10121700	PIN, BELT ANCHOR	2
18	730-0237	GB70M10-30A2-70NL	SCREW, M10x30, SHS,SS	2
19	730-0769	IN-S63000100	WEIGHT STACK,FRAME	1
20	730-0216	IN-B75030900	PAD,FOOT,FRAME,WELDED	4
21	730-0702	IN-D10132800	SHROUD,UPPER	2
22	730-0233	IN-S10121500	SHROUD,REAR,IN-S5100	1
23	730-0326	IN-S63003400	SHROUD,FRONT,IN-S6300	1
24	730-0771	IN-S63000300	CROSSBEAM,UPPER,FRAME	1
25	730-0775	IN-S63001000	CROSSBEAM,LOWER,FRAME	1
26	730-1155	YZGB7710-32x3.2DS2	SCREW, 10-32X3.2, SET	4
27	730-0679	IN-S10111200.	BUMPER,SHS,M10,RUBBER,STOPPER	2
28	730-1094	IN-S63003600	PLATE,ROM,STOPPER,IN-S6300	1
29	730-0890	GB70M8-25A2-70	SCREW,M8X25,SHS,SS	2
30	730-1103	NM8A2-70	NUT,M8,NYLON PATCH,SS	2
31	730-0323	IN-S63001600	ASSY,SPRING PIN,IN-S6300	1
32	730-0704	IN-B72001200	CAP, 25MM, ALUMINUM	2
33	730-0770	IN-S63000200	ASSY,MAIN FRAME	1
34	730-0199	H2-A095	CAP,TUBE,IN-7200	3
35	730-1092	IN-S63002800	RUBBER,HANDLE,GRIP,SLEEVE	2
36	730-1109	PNLM10-80A2-70	SCREW,M10X80,BH,SS	2
37	730-0905	GB938DG12	WASHER,M8,SPLIT,LOCK,SS	8
38	730-0907	GB9310DG12	WASHER,M10,SPLIT,LOCK,SS	5
39	730-1097	L1-6800	BUSHING,FLANGE,M17X18	8
40	730-0878	DQ8DG2B	WASHER,8M,FENDER,FLAT,SS	8

ITEM NO.	partno	PART NUMBER	DESCRIPTION	QTY.
41	730-1088	IN-S63000700	ASSY,CHEST,PAD,BRACE	2
42	730-1093	IN-S63002900	COUNTER BALANCE	1
43	730-1089	IN-S63000800	ASSY,CHEST,PAD,PULL ADJUSTMENT,BRACE	1
44	730-1090	IN-S63000900	ASSY,CHEST,PAD,SMALL,BRACE	1
45	730-0774	IN-S63000600	FRAME,FIX,CHEST,PAD,BRACKET	1
46	730-0309	IN-S63003200	PAD,BACK SUPPORT,IN-S6300	2
47	730-1119	PNLM10-35A2-70	SCREW, M10x35, BH, SS	8
48	730-1091	IN-S63002700	PAD,BUMPER,SLEEVE,M32X45	1
49	730-0772	IN-S63000400	ASSY,ROTARY,SEAT,FRAME	1
50	730-0773	IN-S63000500	BELT,RETAINER,BRACKET	1
51	730-0882	GB32006X	BREARING,30MM ID,55MMOD	1
52	730-0663	IN-S63001400	PULLEY 52MM	2
53	730-0880	GB2766006-2Z	BALL BREARING,25MM ID,42MM OD	1
54	730-0292	IN-S21003000	CAP, ARMS, IN-S2100	4
55	730-0324	IN-S63003000	PAD,KNEEL,IN-D6300	1
56	730-0325	IN-S63003100	PAD,SIDE LEGS, IN-S6300	2
57	730-0903	GB894.130DHS12	RETAINING,SNAP,RING,24MM ID,30MM OD	1
58	730-0385	CAUTION	LABEL,CAUTION,PINCH POINT	1
59	730-0383	STARTRAC1	LOGO,STARTRAC	2
60	730-0384	Instinct	LOGO,INSTINCT	1
61	730-0408	TZZSS6300	PLACARD,INSTRUCTION,IN-S6300	1

UNISEN, INC. DBA
 14410 Myford Road
 Irvine CA 92606

PART NO: **9IN-S6300-13BSS** REV: **C**

TITLE: **IN,SSS,ROTARY TORSO**

SCALE: 1:75 | SHEET 2 OF 3 | SHEET SIZE: B

J
I
H
G
F
E
D
C
B
A

REPLACEMENTS				
Item	StartTrac p/n	Description	Inray p/n	Qty
4	730-0235	ASSY,SELECTOR PIN	IN-S10112200	1
31	730-0323	ASSY,SPRING PIN,IN-S6300	IN-S63001600	1
20	730-0216	PAD,FOOT,FRAME,WELDED	IN-B75030900	4
55	730-0324	PAD,KNEEL,IN-D6300	IN-S63003000	1
56	730-0325	PAD,SIDE,LEGS,IN-S6300	IN-S63003100	2
46	730-0309	PAD,BACK SUPPORT,INS6300	IN-S63003200	2
22	730-0233	SHROUD,REAR,IN-S5100	IN-S10121500	1
23	730-0326	SHROUD,FRONT,IN-S6300	IN-S63003400	1
24	730-0199	CAP,TUBE,IN-B7200	H2-A095	3
54	730-0292	CAP,ARMS,IN-S2100	IN-S21003000	4
21	730-0228	KIT, UPPER SHROUD	IN-D10132800	1
			PNLM8*20A2-70	3
			GB958A2-70	3
10	730-0229	KIT, PULLEY REPLACEMENT, 76 MM, SINGLE	IN-S51101000	1
			PNLM10*63A2-70	1
			NM10A2-70	1
			GB9510A2-70	2
32	730-0151	ASSY ENDCAP, 25.4MM, ALUM	IN-B72001200	1
			YZGB7710-32*3.2DS2	2
			SLEEVE RUBBER	2 FT
N/A	730-0215	KIT, BELT REPLACEMENT	IN-S21002800	15.5 ft
			IN-S10121700	2
			GB70M10*30A2-70	1
N/A	730-0190	KIT, HARDWARE, IN-S6300	??	n/a

UNISEN, INC. DBA
 14410 Myford Road
Irvine CA 92606

PART NO	REV
9IN-S6300-13BSS	C
TITLE	
IN,SSS,ROTARY TORSO	
SCALE: 1:75	SHEET 3 OF 3 SHEET SIZE: B